

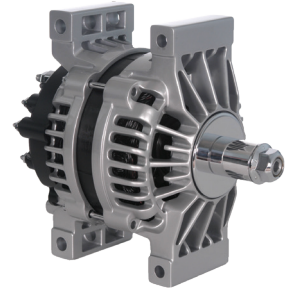


GENUINE PRODUCTS

Spec it Right: Navistar

28SI™

- **Output:** 12 Volts 160/165 Amps - 100 Amps at idle
12 Volts 200 Amps - 140 Amps at idle
- **Dual Internal Fans:** Provides maximum cooling
- **Remote Sense:** Drastically reduce battery charge time
- **Warranty:** 2 years/250,000 miles



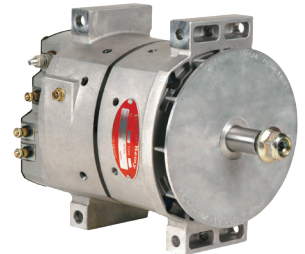
28SI OPTION CODES

160 Amp: 08GHP

200 Amp: 08GHU

36SI™

- **Output:** 12 Volts 160/165 Amps - 100 Amps at idle
- **Highest output at low RPM:** Manages heavy electrical loads at low RPM preventing premature battery discharge
- **Remote Sense:** Drastically reduce battery charge time
- **Brushless durability:** 13 fewer moving parts than a brush-type alternator, eliminating components that wear out while extending product life
- **Warranty:** 3 years/350,000 miles

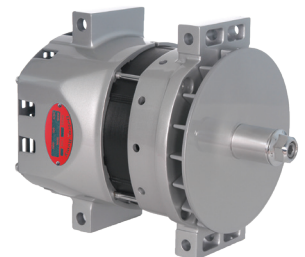


36SI OPTION CODE

08GGG

40SI™

- **Output:**
12 Volts 240 Amps - 160 Amps at idle
12 Volts 275 Amps - 180 Amps at idle
12 Volts 300 Amps - 190 Amps at idle
- **Highest output at low RPM:** Manages heavy electrical loads at idle preventing premature battery discharge
- **Remote Sense:** Drastically reduce battery charge time
- **Brushless durability:** 13 fewer moving parts than a brush-type alternator, eliminating components that wear out while extending product life
- **Longer system life:** Over spec'ing extends life of alternator
- **Efficiency and power density:** Highest combination in its class, providing substantial fuel savings
- **Warranty:** 3 years/350,000 miles



40SI OPTION CODES

240 Amp: 08GHK* **

275 Amp: 08GHW*

300 Amp: 08GHJ

* Special Quote

** Published option for the Workstar

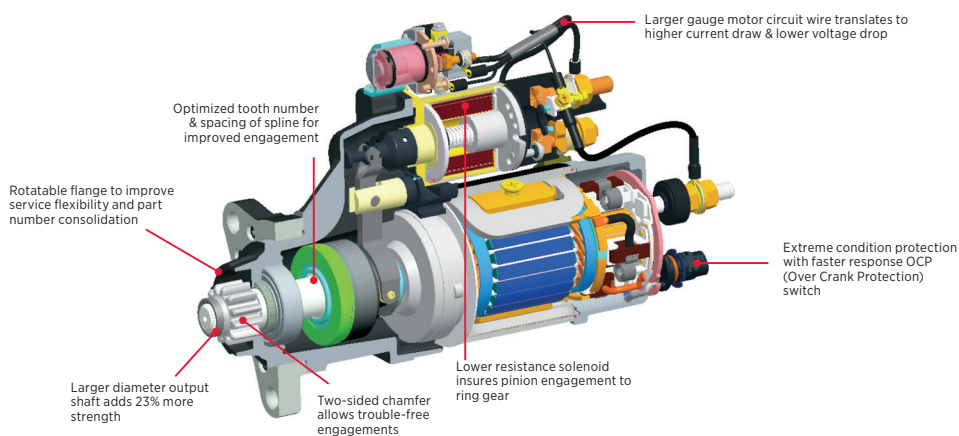
Spec it Right: Navistar

38MT™

- **For medium duty applications**
- **Power:** 4.3kW peak at 12V
- **Warranty:** 1 year/unlimited miles

39MT™

- **Over Crank Protection:** A built-in circuit breaker, protects the starter from thermal damage, automatically resetting at a safe operating temperature
- **Design refinements** for optimal performance
- **Improved starter pinion engagement:** Redefined electrical soft start reduces wear-and-tear by slowly rotating the pinion until it properly engages into the ring gear before cranking.
- **Warranty:** 3 years/350,000 miles



39MT™ Smart Starter

- **Smart IMS technology protects against six of the most common failure modes** that arise from system issues.
- **Prevents the costly repair** or replacement costs (and denied warranty claims) that often result from these failure modes.
- **Integrated Over Crank Protection:** A built-in circuit breaker, protects the starter from thermal damage, automatically resetting at a safe operating temperature.
- **Warranty:** 3 year/unlimited miles and improved to cover the system-related failure modes listed.



38MT OPTION CODE

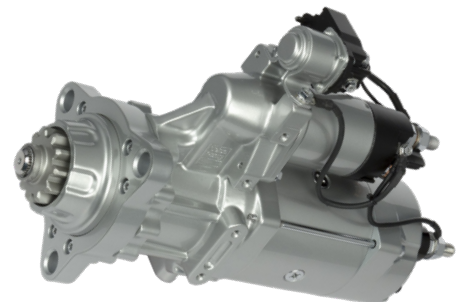
08WTK



39MT OPTION CODES

08WTL

08WTU Non-OCP*



39MT SMART STARTER OPTION CODE

0008WUE

* Special Quote



BorgWarner Inc.
600 Corporation Drive
Pendleton, IN 46064 USA
For Customer Service or Technical
Assistance call 1-800-372-3555

delcoremy.com

Delco Remy is a registered trademark of General Motors Corporation
licensed to BorgWarner PDS (Anderson) L.L.C. | F100N | 8-21