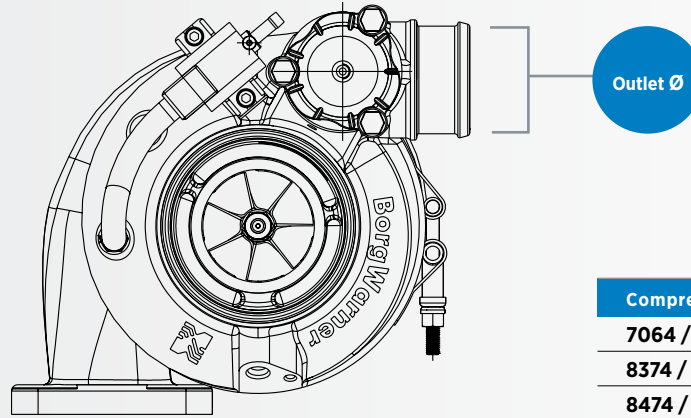


Turbo Frame Dimensions

For all 7064 / 7670 / 8374 / 8474 / 9174 / 9274 / 9180 and 9280 EFR models.*

B2 FRAME SIZE



Compressor Outlet Ø

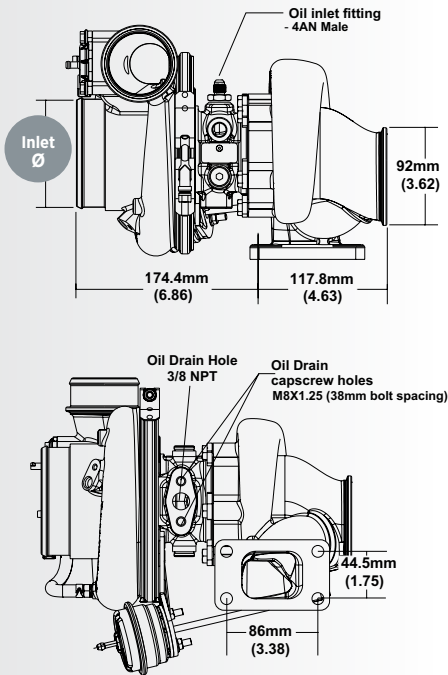
7064 / 7670 = 50.8mm (2.00)

8374 / 9174 / 9180 = 63.5mm (2.50)

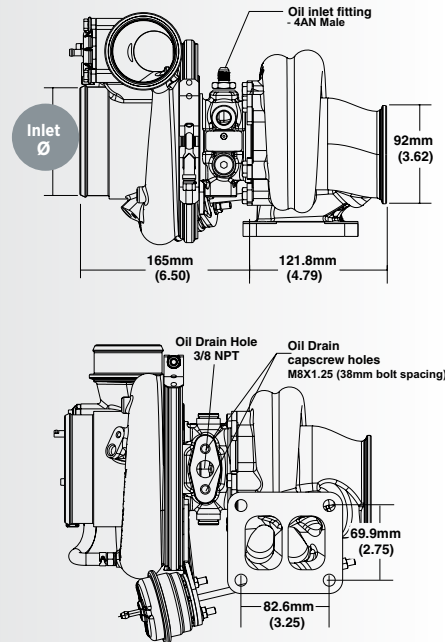
8474 / 9274 / 9280 = 63.5mm (2.50)

*Speed sensor details, see page 61

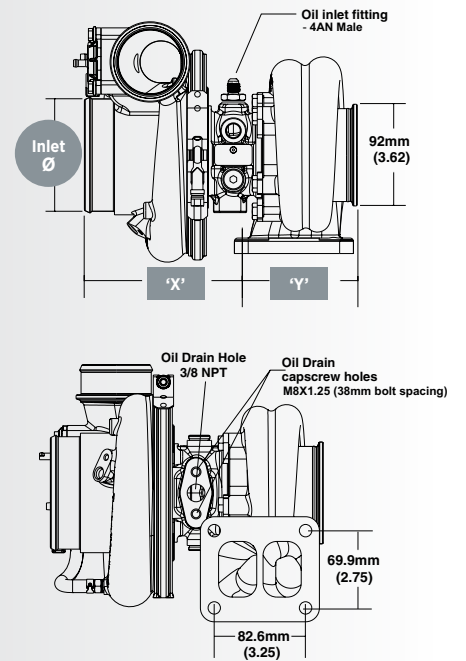
B - TYPE



C - TYPE



D & H - TYPE



Compressor Inlet Ø

7064 / 7670 = 88.9mm (3.50)

8374 / 9174 / 9180 = 101.6mm (4.00)

8474 / 9274 / 9280 = 101.6mm (4.00)

Dimension 'X'

7064 / 7670 D-Type = 142mm (5.60)

8374 / 9180 D-Type = 148mm (5.82)

8374 / 9180 H-Type = 140mm (5.51)

8474 / 9274 / 9280 H-Type = 140mm (5.51)

Dimension 'Y'

D-Type = 98.6mm (3.88)

H-Type = 106.4mm (4.19)