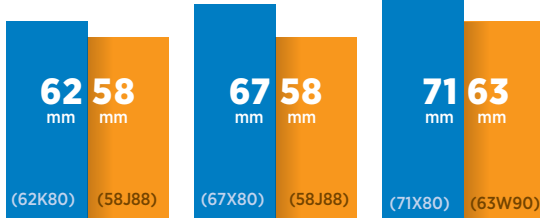



B1

COMPRESSOR
TURBINE



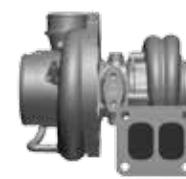



FRAME SIZE ▶	B1	B1	B1
--------------	----	----	----

	450hp	500hp	550hp
Super-Core, Aluminum	11587105002	11587105001	11637105000
Super-Core, Iron	179140	179375	
 <p>A-TYPE B1 Frame Size 0.64 A/R, T25 Flange Single Scroll Wastegated</p>	<p>179150 11581009006</p>	<p>179388 11581009006</p>	
 <p>F-TYPE B1 Frame Size 0.85 A/R, T25 Flange Single Scroll Wastegated</p>		<p>11589880034 11581008000</p>	<p>11639880005 11631008000</p>
 <p>F(v)-TYPE B1 Frame Size 0.85 A/R, V-Band Inlet Single Scroll Wastegated</p>		<p>11589880035 11581008001</p>	<p>11639880006 11631008001</p>
 <p>G-TYPE B1 Frame Size 0.80 A/R, T4 Flange Twin Scroll Wastegated</p>	<p>11589880036 11581008002</p>	<p>11589880037 11581008002</p>	<p>11639880002 11631008002</p>
 <p>I-TYPE B1 Frame Size 0.85 A/R, V-Band Inlet Single Scroll Non-Wastegated</p>		<p>sold as turbine housing kit 11581008003</p>	<p>sold as turbine housing kit 11631008003</p>

B2

FRAME SIZE ▶	B2
--------------	----

	B2
Super-Core, Aluminum	
Super-Core, Iron	
 <p>B-TYPE B2 Frame Size 0.83 A/R, T3 Flange Single Scroll Wastegated</p>	
 <p>C-TYPE B2 Frame Size 0.92 A/R, T4 Flange Twin Scroll Wastegated</p>	
 <p>D-TYPE B2 Frame Size 1.05 A/R, T4 Flange Twin Scroll Non-Wastegated</p>	
 <p>H-TYPE B2 Frame Size 1.45 A/R, T4 Flange Twin Scroll Non-Wastegated</p>	

	70 mm (70S75)	64 mm (64J88)	76 mm (76S75)	70 mm (70J88)	83 mm (83S75)	74 mm (74A87)	84 mm (84X80)	74 mm (74A87)	91 mm (91S74)	74 mm (74A87)	92 mm (92X79)	74 mm (74A87)	91 mm (91S74)	80 mm (80M92)	92 mm (92X81)	80 mm (80M92)
	B2		B2		B2		B2		B2		B2		B2		B2	
	550hp		650hp		750hp		950hp		1000hp		1050hp		1000hp		1100hp	
	12709097006		12769097001		12839097000		1274710017		12919097000		1274710021		12919097001		12807100003	
	179354		179350		179257		1274710019		12919097002		1274710023		179356		12807100005	
	179355 12641008006		179351 12701008014		179258 12741008000		12741008000		12741008000		12741008000		179358 12801008002		12801008002	
	179389 12641008007		179390 12701008016		179357 12741008001		12741008001		12741008001		12741008001		12809880000 12801019009		12801019009	
	179391 12641019016		179392 12701019047		179393 12741019002		12741019002		12741019002		12741019002		179394 12801019001		12801019001	
					sold as turbine housing kit 12741008003		sold as turbine housing kit 12741008003		sold as turbine housing kit 12741008003		sold as turbine housing kit 12741008003		sold as turbine housing kit 12801008006		sold as turbine housing kit 12801008006	

Turbo Assembly
Turbine Housing Assembly

K E Y